

MANHOLE BOX KSECK

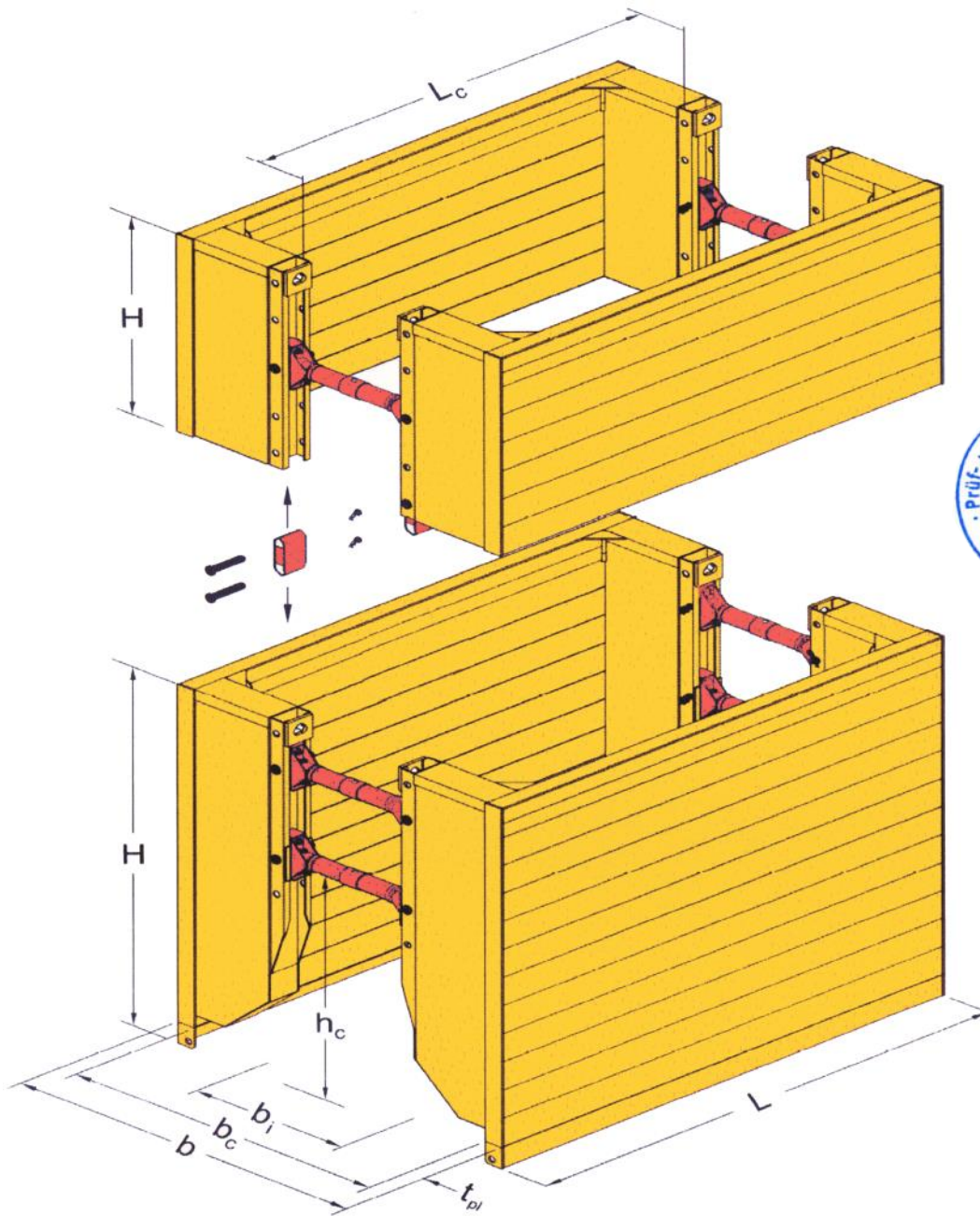


Unit length	2.00 m - 3.50 m
Base box height	2.40 m
Top box height	1.40 m
Pipe culvert height	Max. 1.54 m
Weight	1730 kg - 2330 kg
Advised depth of work	Up to 4.00 m
Lifting device	Excavator \approx 12 - 18 tons

Specially designed to shore the particular areas such as the manhole, this box equipped with "L" shape at both edges, on which struts are fixed. The accessories of fixing are identical to those of the standard range.

The set in of pre-cast elements is easily made in its centre without sacrifice of the width of the current trench.

MANHOLE BOX KSECK



Conformité
DIN 4124
DIN EN 13331

H	Plate height
L	Plate length
H _c	Pipe culvert height
L _c	Pipe culvert length
b _c	Working width
b	Shoring width
t _{pl}	Plate thickness



MANHOLE BOX KSECK

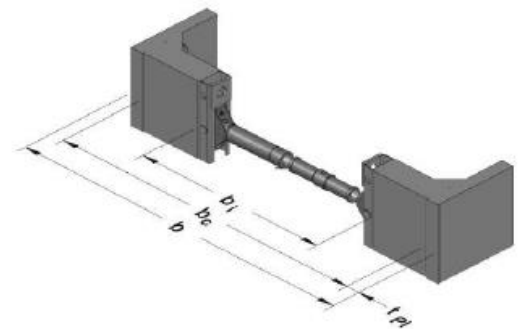
Base plate LxH	Weight box	Pipe culvert height H _c	Pipe culvert length L _c	Thickness plate t _{p1}	State design load limit ed
[mm]	[kg]	[mm]	[mm]	[mm]	[kN/m ²]
KSECK 2000x2400	1330	1350	1580	60	66.2
KSECK 2500x2400	1450	1350	2080	60	49.8
KSECK 3000x2400	1580	1350	2580	60	33.0
KSECK 3500x2400	1920	1350	3080	60	32.9
Top plate					
KSECK A 2000x1400	820	-	1580	60	66.2
KSECKA 2500x1400	890	-	2080	60	49.8
KSECKA 3000x1400	960	-	2580	60	33.0
KSECKA 3500x1400	1160	-	3080	60	32.9

Any other dimension, consult us.

Tensile forces:

- lifting eyes at the plate head Rd = 229 kN
- bottom eyes Rd = 47 kN

Brace extension	Working width b _i	Working width between profiles b _c	Shoring width b	Weight
[mm]	[m]	[m]	[m]	[kg]
0	0.99-1.29	1.79 - 2.09	1.91 - 2.21	71.0
300	1.29-1.59	2.09 - 2.39	2.21 - 2.51	+ 15.5
500	1.49-1.79	2.29 - 2.59	2.41 - 2.71	+ 20.0
800	1.79-2.09	2.59 - 2.89	2.71 - 3.01	+ 26.7
1000	1.99-2.29	2.79 - 3.09	2.91 - 3.21	+ 31.1



MANHOLE BOX KSECK

Base plate LxH	Weight box	Pipe culvert height H _c	Pipe culvert length L _c	Thickness plate t _{p1}	State design load limit ed
[mm]	[kg]	[mm]	[mm]	[mm]	[kN/m ²]
KSECK 2000x2400	1730	1540	1580	100	97.5
KSECK 2500x2400	1930	1540	2080	100	78.0
KSECK 3000x2400	2130	1540	2580	100	65.0
KSECK 3500x2400	2330	1540	3080	100	55.7
Top plate					
KSECK A 2000x1400	1170	-	1580	100	97.5
KSECKA 2500x1400	1300	-	2080	100	78.0
KSECKA 3000x1400	1430	-	2580	100	65.0
KSECKA 3500x1400	1560	-	3080	100	55.7

Any other dimension, consult us.

Tensile forces:

- lifting eyes at the plate head Rd = 229 kN
- bottom eyes Rd = 47 kN

Brace extension	Working width b _i	Working width between profiles b _c	Shoring width b	Weight
[mm]	[m]	[m]	[m]	[kg]
0	0.99-1.29	1.99 - 2.29	2.20 - 2.50	71.0
300	1.29-1.59	2.29 - 2.59	2.50 - 2.80	+ 15.5
500	1.49-1.79	2.49 - 2.79	2.70 - 3.00	+ 20.0
800	1.79-2.09	2.79 - 3.09	3.00 - 3.30	+ 26.7
1000	1.99-2.29	2.99 - 3.29	3.20 - 3.50	+ 31.1

